

[54] HAND HELD CONTROL UNIT

[75] Inventor: Randy K. Hall, Santa Clara, Calif.

[73] Assignee: Atari, Inc., Sunnyvale, Calif.

[**] Term: 14 Years

[21] Appl. No.: 734,981

[22] Filed: Oct. 22, 1976

[51] Int. Cl. D13-03

[52] U.S. Cl. D13/38

[58] Field of Search D13/32-38,
D13/40, 41; 200/157, 159 R, 293, 294, 295, 297,
302, 303, 153 C, 86.5

[56]

References Cited

U.S. PATENT DOCUMENTS

2,390,846	12/1945	Obszarny	200/157
3,126,467	3/1964	Stevens	200/302
3,472,983	10/1969	Satkunas et al.	200/302 X

Primary Examiner—Susan J. Lucas
Attorney, Agent, or Firm—Paul D. Flehr

[57] CLAIM

The ornamental design for a hand held control unit, as shown and described.

DESCRIPTION

FIG. 1 is a perspective view of a hand held control unit employing my new design;

FIG. 2 is a top plan view of the hand held control unit shown in FIG. 1;

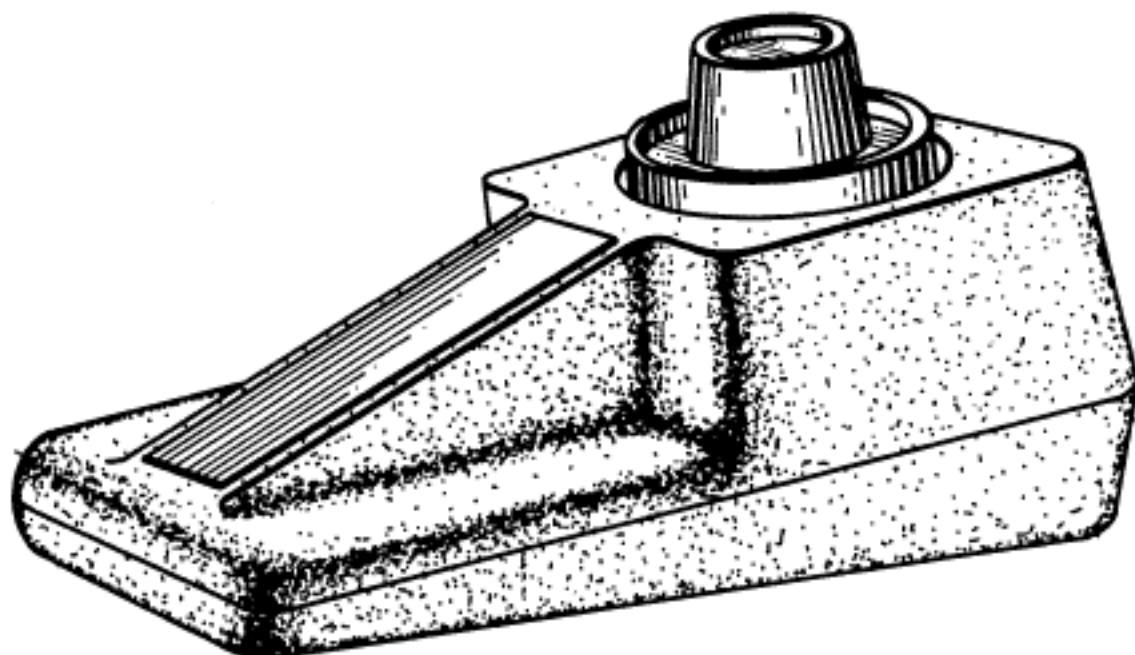
FIG. 3 is a bottom plan view of the hand held control unit shown in FIG. 1;

FIG. 4 is a front elevational view of the hand held control unit shown in FIG. 1;

FIG. 5 is a right side elevational view of the hand held control unit shown in FIG. 1;

FIG. 6 is a rear elevational view of the hand held control unit shown in FIG. 1.

The left side of the hand held control unit is a mirror image of the right side.



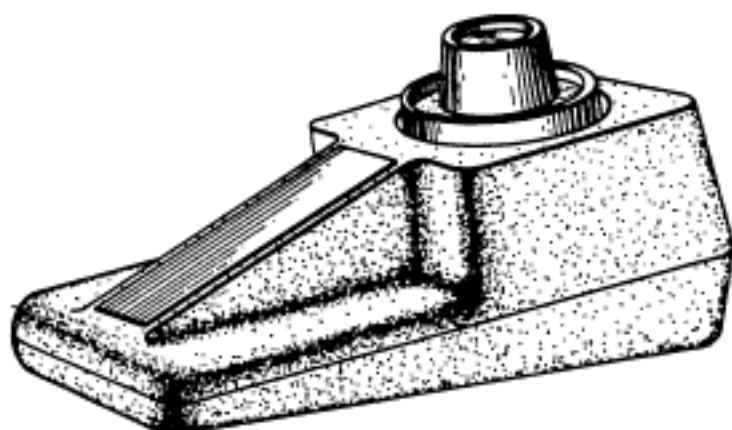


FIG. 1

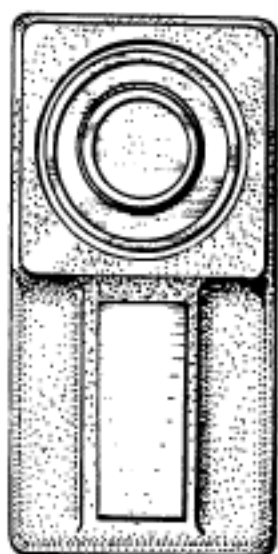


FIG. 2

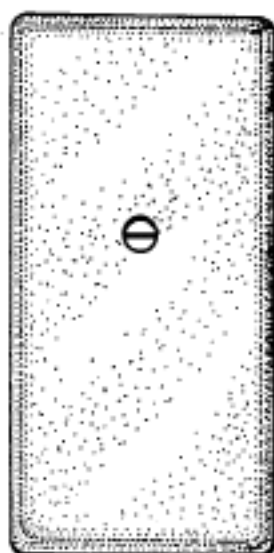


FIG. 3



FIG. 4

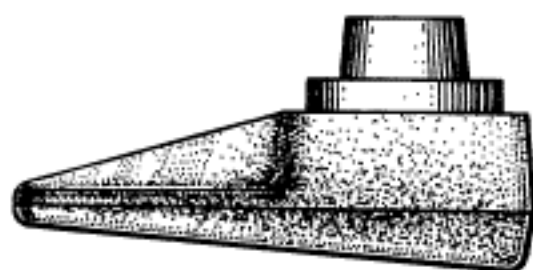


FIG. 5



FIG. 6